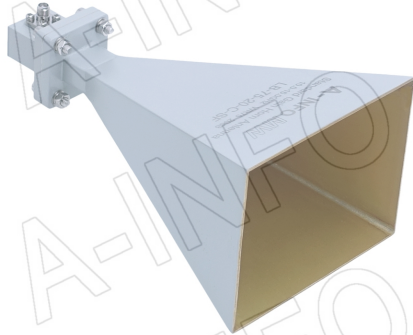


For reference only. See data sheet for the detailed specifications.

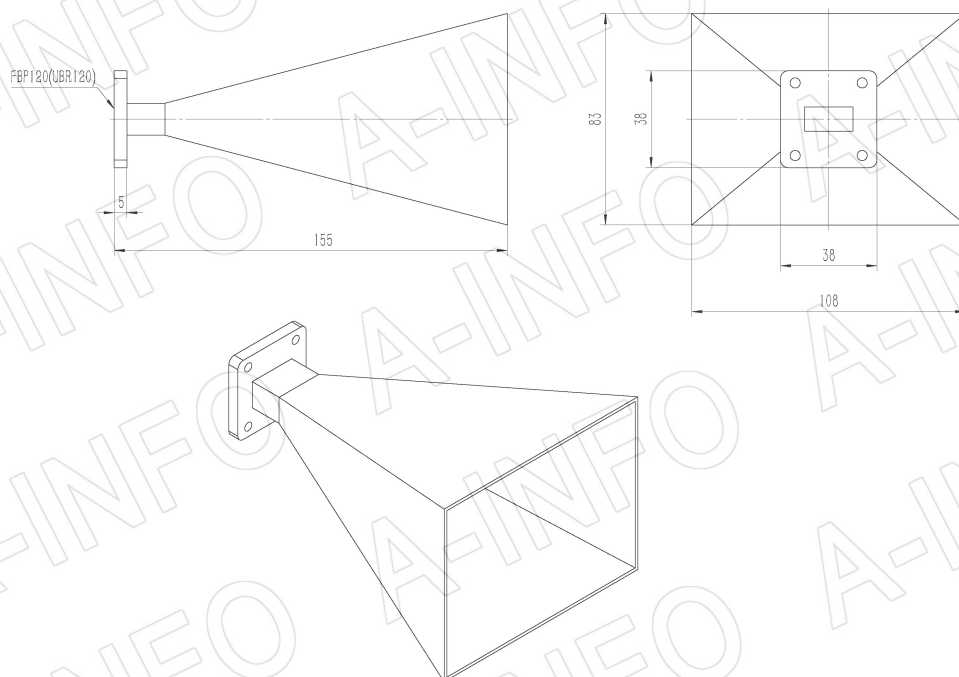
Technical Specification



Frequency Range(GHz)	10.0 – 15.0
Waveguide	WR75
Gain(dBi)	20 Typ.
Polarization	Linear
3dB Beamwidth(deg)	E Plane: 16 Typ.
	H Plane: 17 Typ.
Cross Pol. Isolation(dB)	35 Typ.
VSWR	A Type: 1.10:1 Typ.
	C Type: 1.25:1 Typ.
Output	A Type: FBP120(UBR120) SMA-Female or N-Female
	C Type: or TNC-Female or 7mm or 3.5mm-Female
Material	Al
Finish	Chemical Conversion Coating, Gray Paint
Size(mm)	A Type: 108 x 83 x 155
	C Type: 108 x 83 x 185
Net Weight(Kg)	A Type: 0.17 Around
	C Type: 0.20 Around

Outline Drawing (Size: mm)

FBP120 Output (P/N: LB-75-20-A)



AINFO Inc.

China(Beijing): Tel: (+86) 10-6266-7326,
China(Chengdu): Tel: (+86) 28-8519-2786,
USA : Tel: (+1) 949-639-9688,

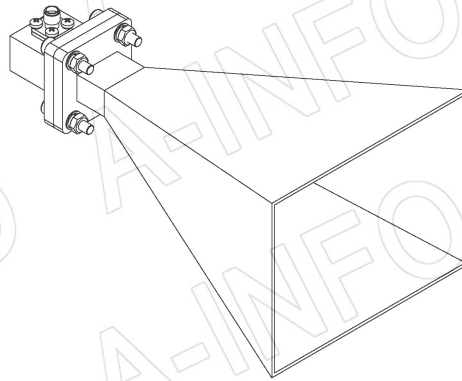
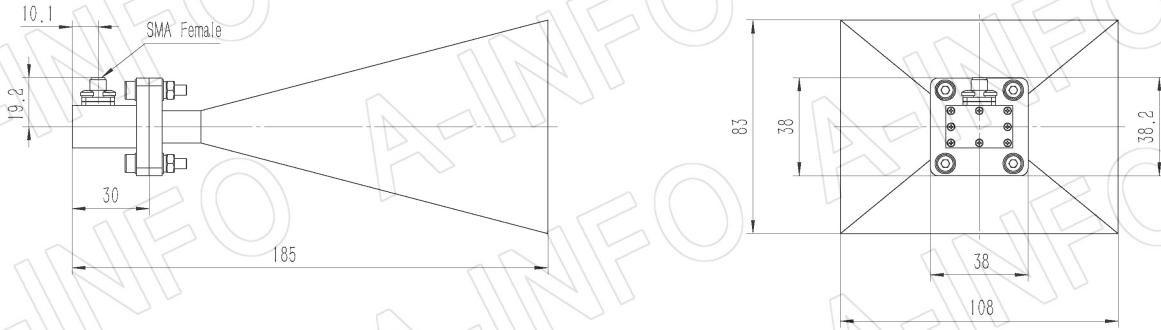
Page 1 of 11

(+86) 10-6266-7327 Fax: (+86) 10-6266-7379
(+86) 28-8519-3044 Fax: (+86) 28-8519-3068
(+1) 949-639-9608 Fax: (+1) 949-639-9670

Website: www.ainfoinc.com
Email: sales@ainfoinc.com

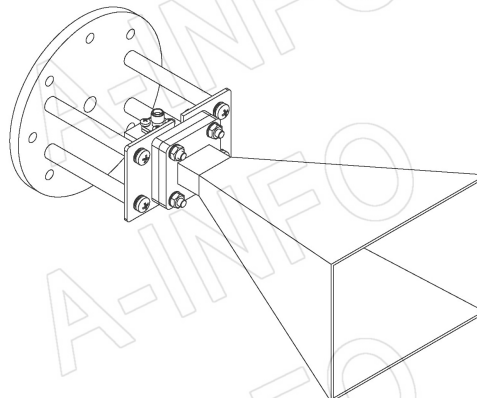
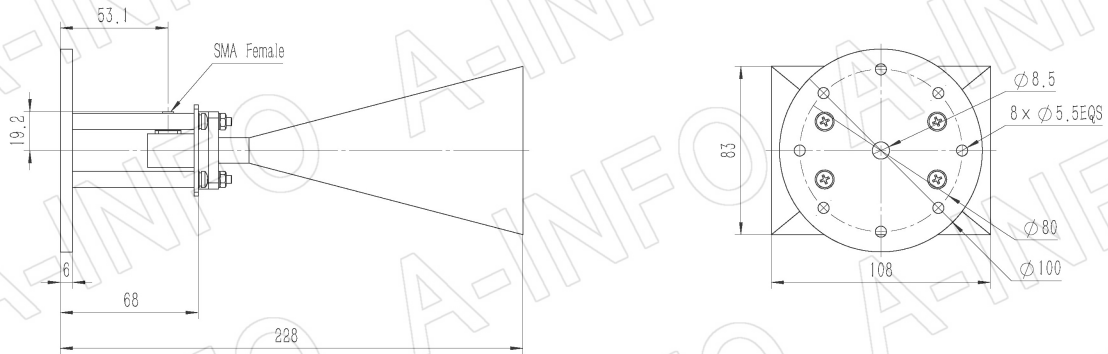
SMA-Female Output (P/N: LB-75-20-C-SF)

For N-Female, TNC-Female, 7mm or 3.5mm-Female output outline drawing, please contact A-INFO.



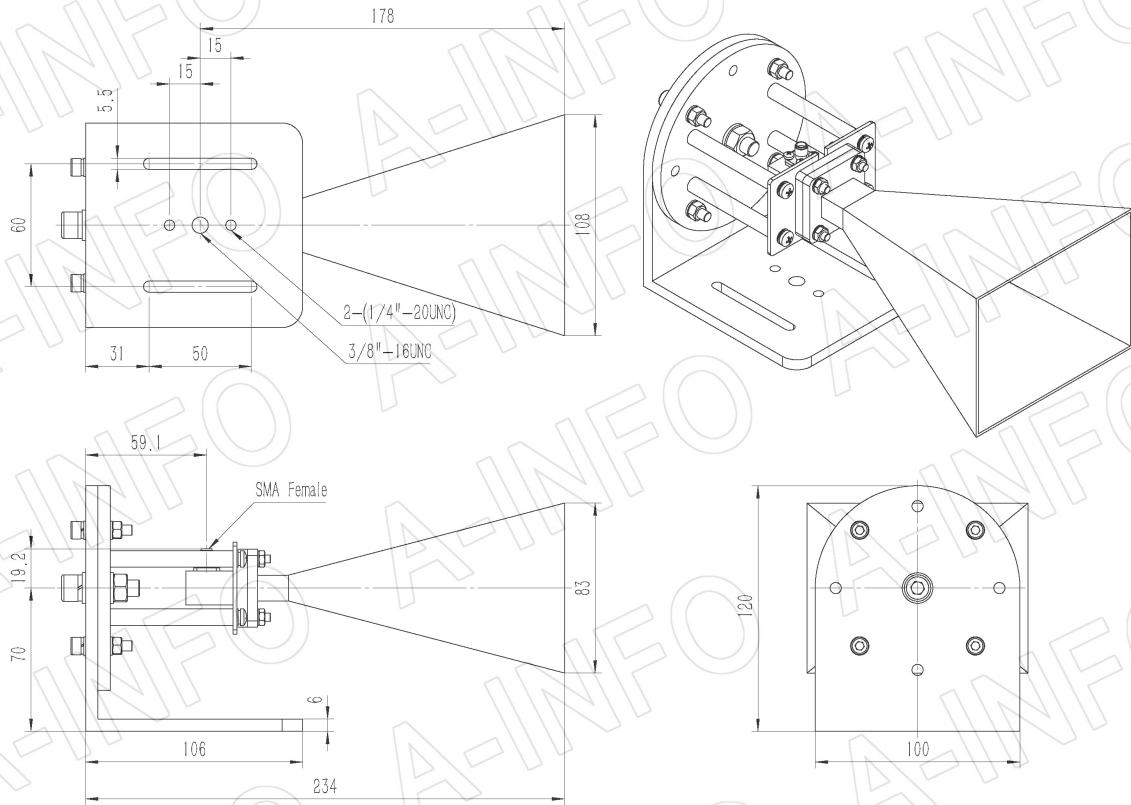
SMA-Female Output with Round Mounting Bracket (Option, P/N: LB-75-10-C-MB)

For N-Female, TNC-Female, 7mm or 3.5mm-Female output outline drawing, please contact A-INFO.

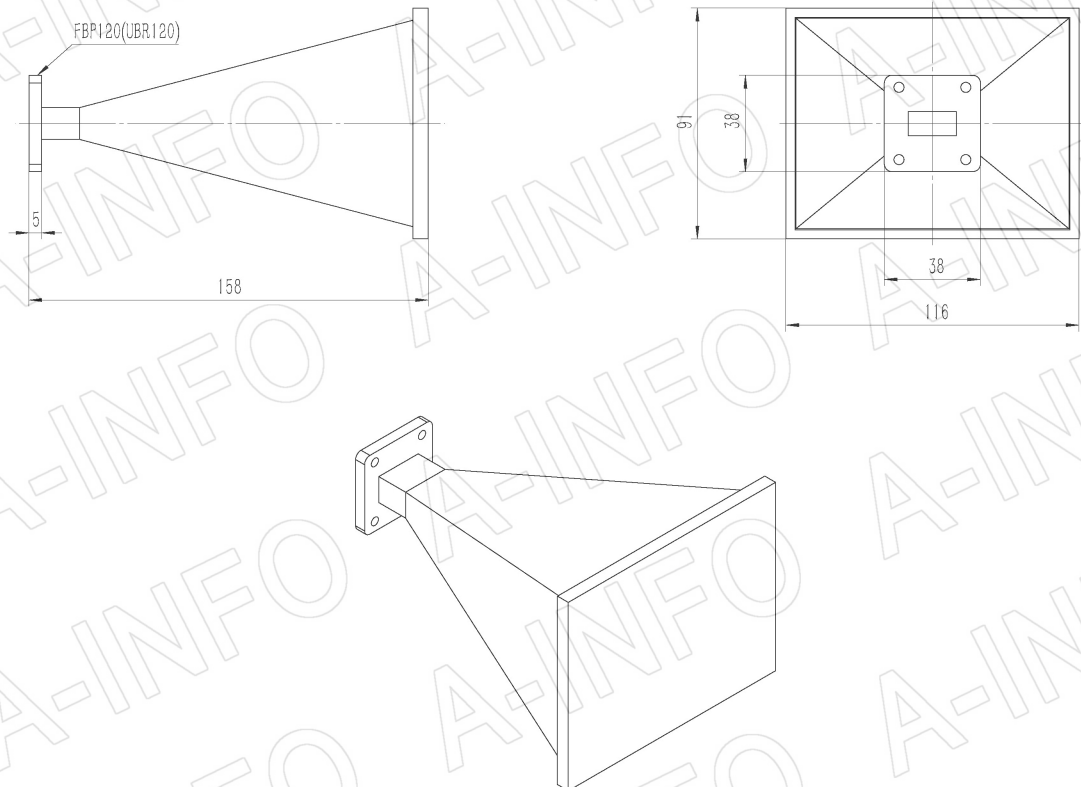


SMA-Female Output with L Type Mounting Bracket (Option, P/N: LB-75-10-C-MBL)

For N-Female, TNC-Female, 7mm or 3.5mm-Female output outline drawing, please contact A-INFO.

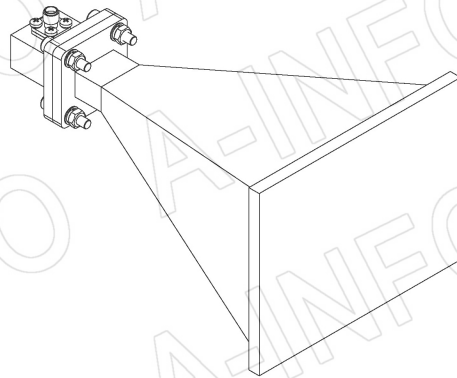
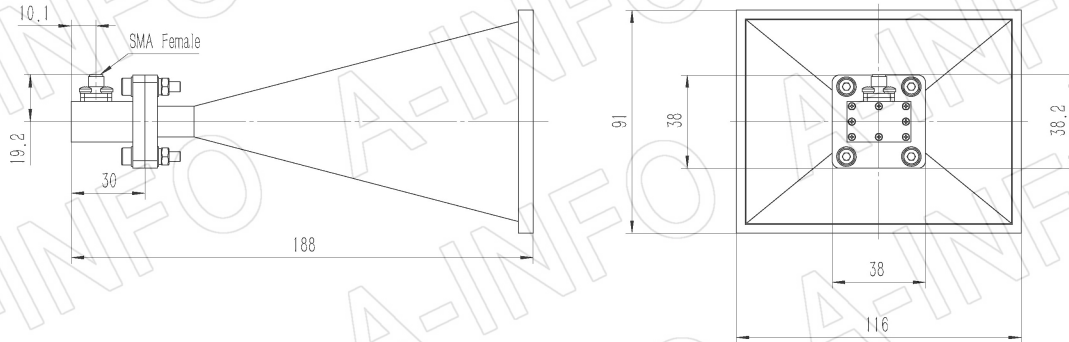


FBP120 Output with Radome (Option, P/N: LB-75-20-ASPO, Outdoor Application)



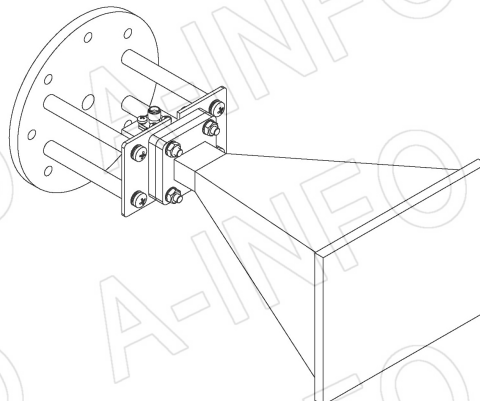
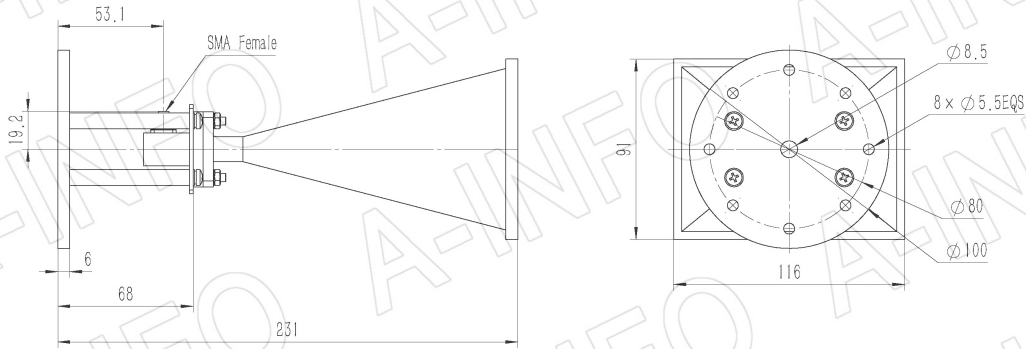
SMA-Female Output with Radome (Option, P/N: LB-75-20-C-SFSP0, Outdoor Application)

For N-Female, TNC-Female, 7mm or 3.5mm-Female output outline drawing, please contact A-INFO.



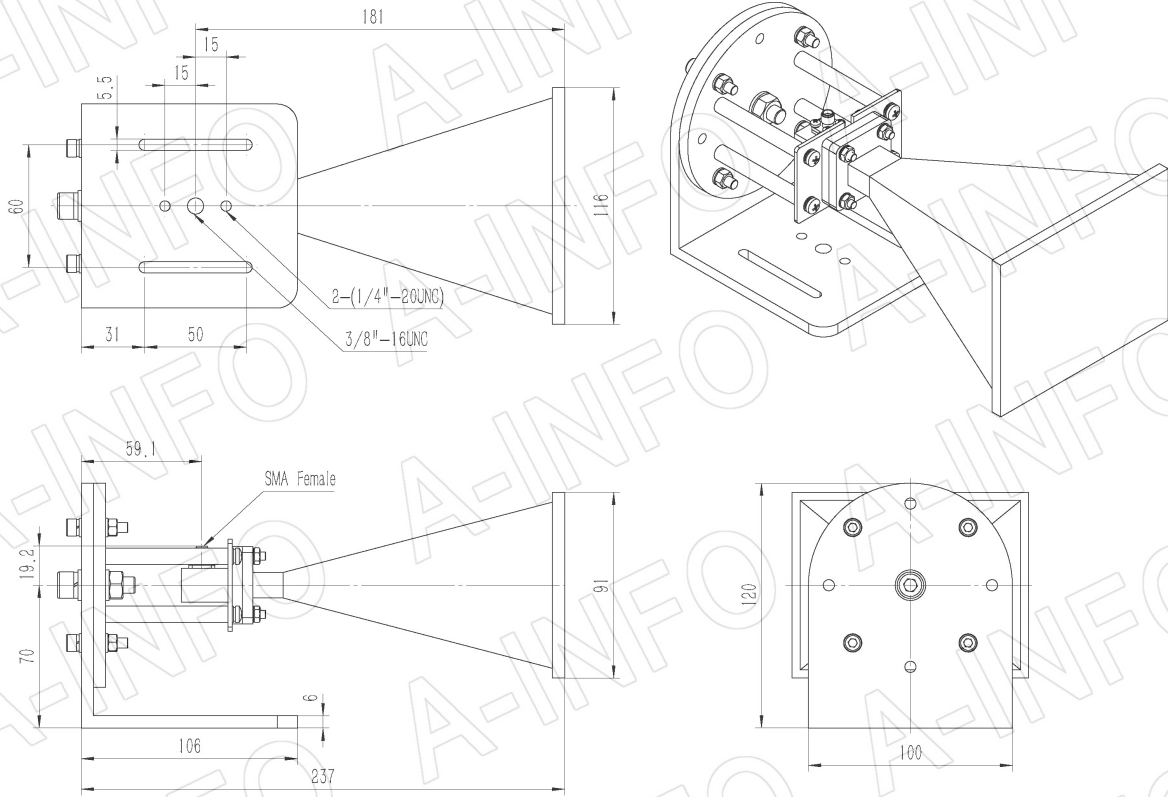
SMA-Female Output with Round Mounting Bracket & Radome (Option, P/N: LB-75-10-C-MB & LB-75-20-C-SFSP0, Outdoor Application)

For N-Female, TNC-Female, 7mm or 3.5mm-Female output outline drawing, please contact A-INFO.

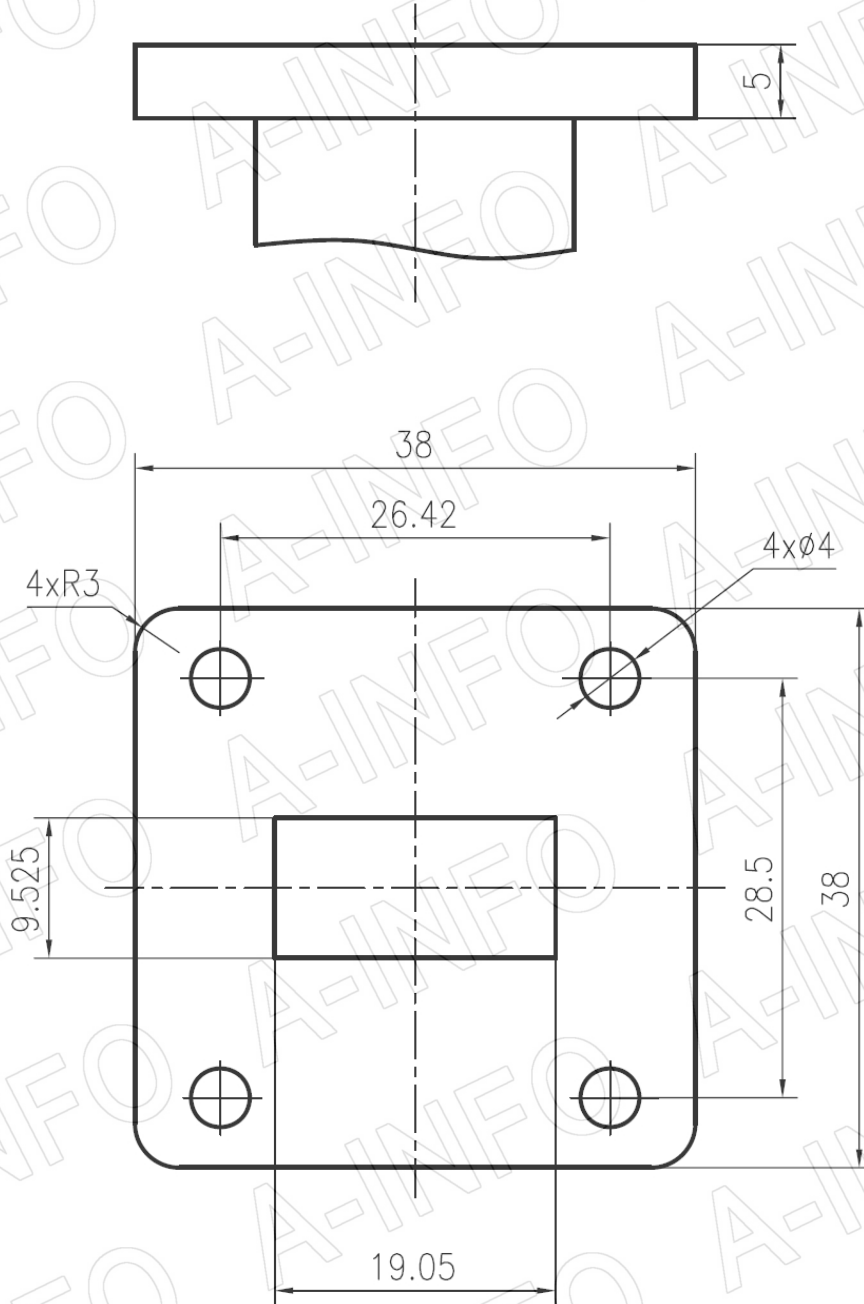


SMA-Female Output with L Type Mounting Bracket & Radome (Option, P/N: LB-75-10-C-MBL & LB-75-20-C-SFSP0, Outdoor Application)

For N-Female, TNC-Female, 7mm or 3.5mm-Female output outline drawing, please contact A-INFO.



Flange Drawing (Size: mm)



FBP120

AINFO Inc.

China(Beijing): Tel: (+86) 10-6266-7326,
China(Chengdu): Tel: (+86) 28-8519-2786,
USA: Tel: (+1) 949-639-9688,

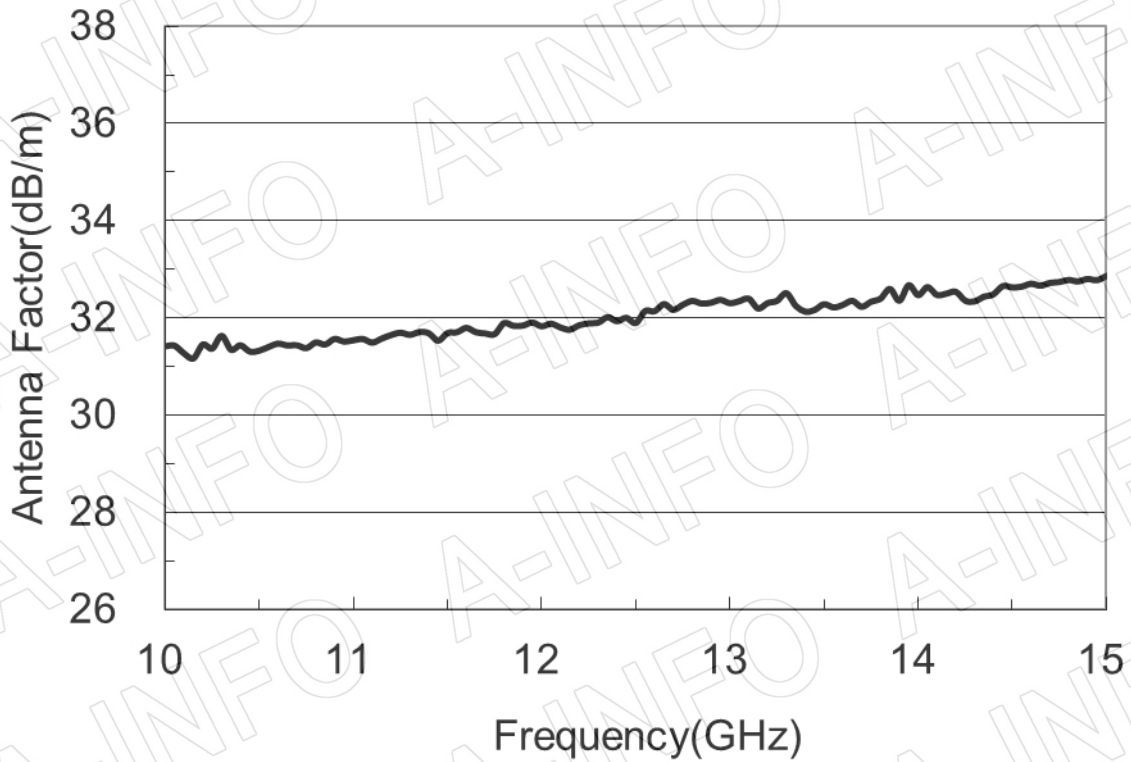
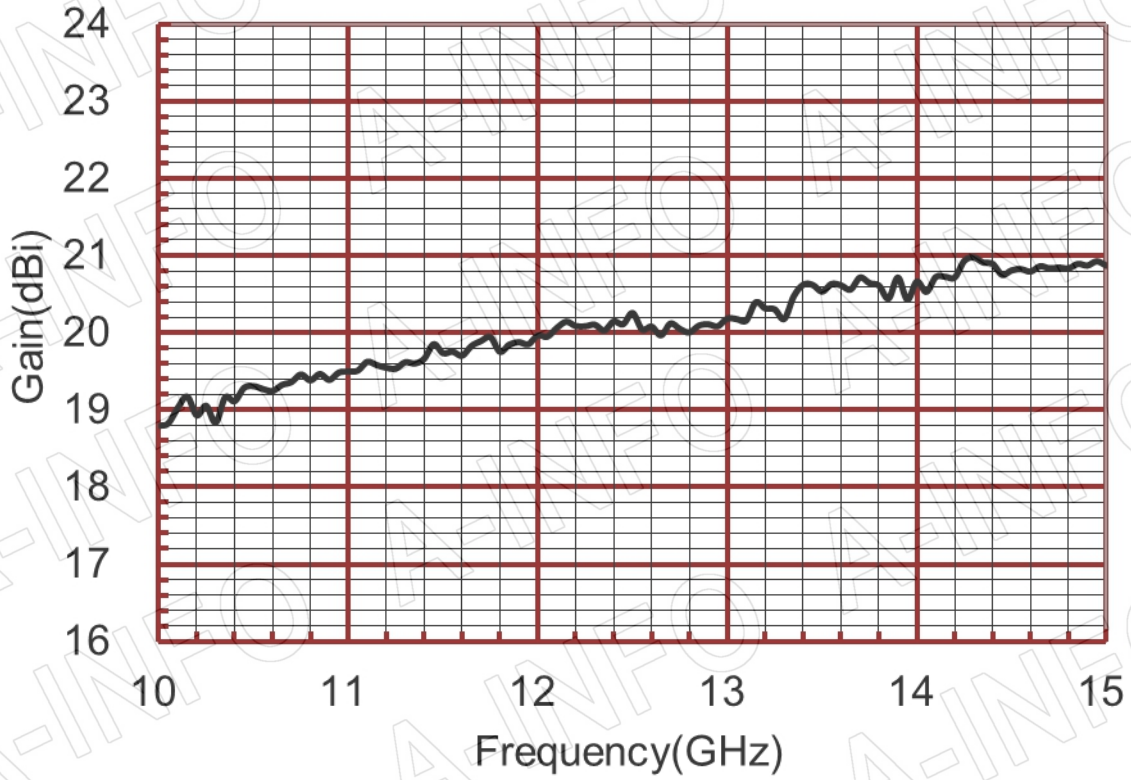
Page 6 of 11

(+86) 10-6266-7327 Fax: (+86) 10-6266-7379
(+86) 28-8519-3044 Fax: (+86) 28-8519-3068
(+1) 949-639-9608 Fax: (+1) 949-639-9670

Website: www.ainfoinc.com
Email: sales@ainfoinc.com

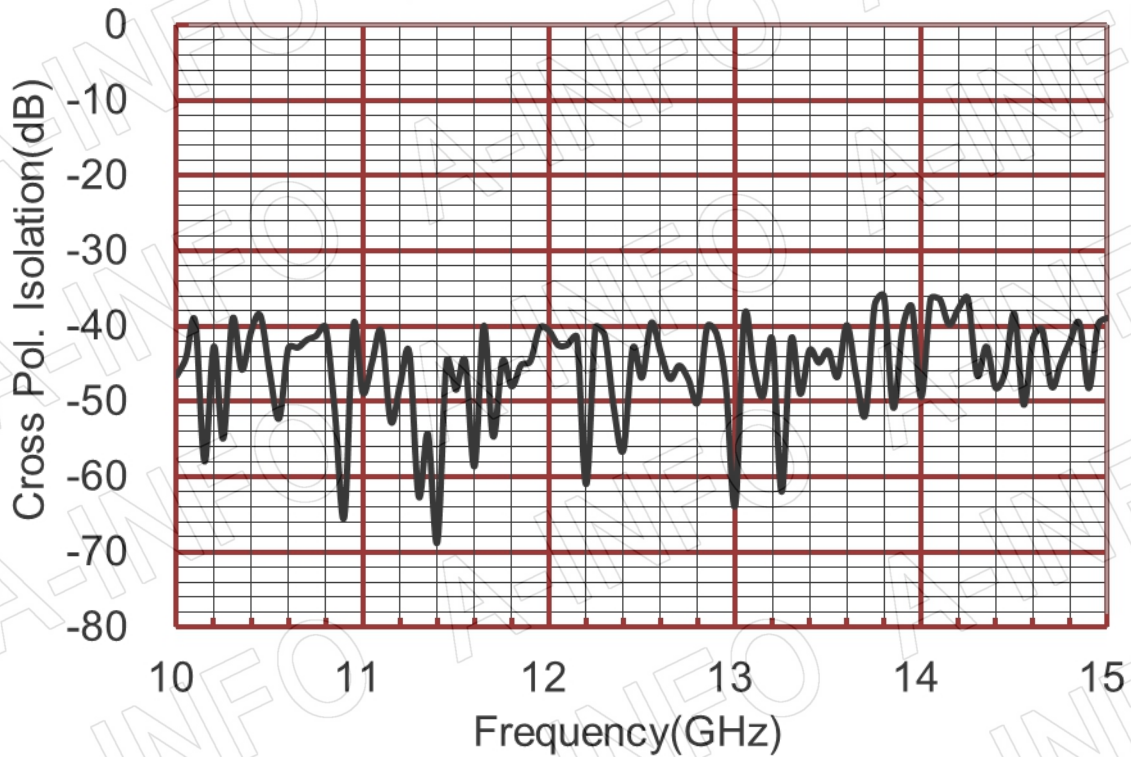
Test Results

1. Gain & Antenna Factor



Frequency(GHz)	Gain(dBi)	Antenna Factor(dB/m)
10.00	18.79	31.42
10.50	19.31	31.33
11.00	19.50	31.54
11.50	19.73	31.69
12.00	19.97	31.83
12.50	20.25	31.89
13.00	20.19	32.30
13.50	20.53	32.28
14.00	20.66	32.47
14.50	20.81	32.63
15.00	20.87	32.86

2. Cross Polarization Isolation



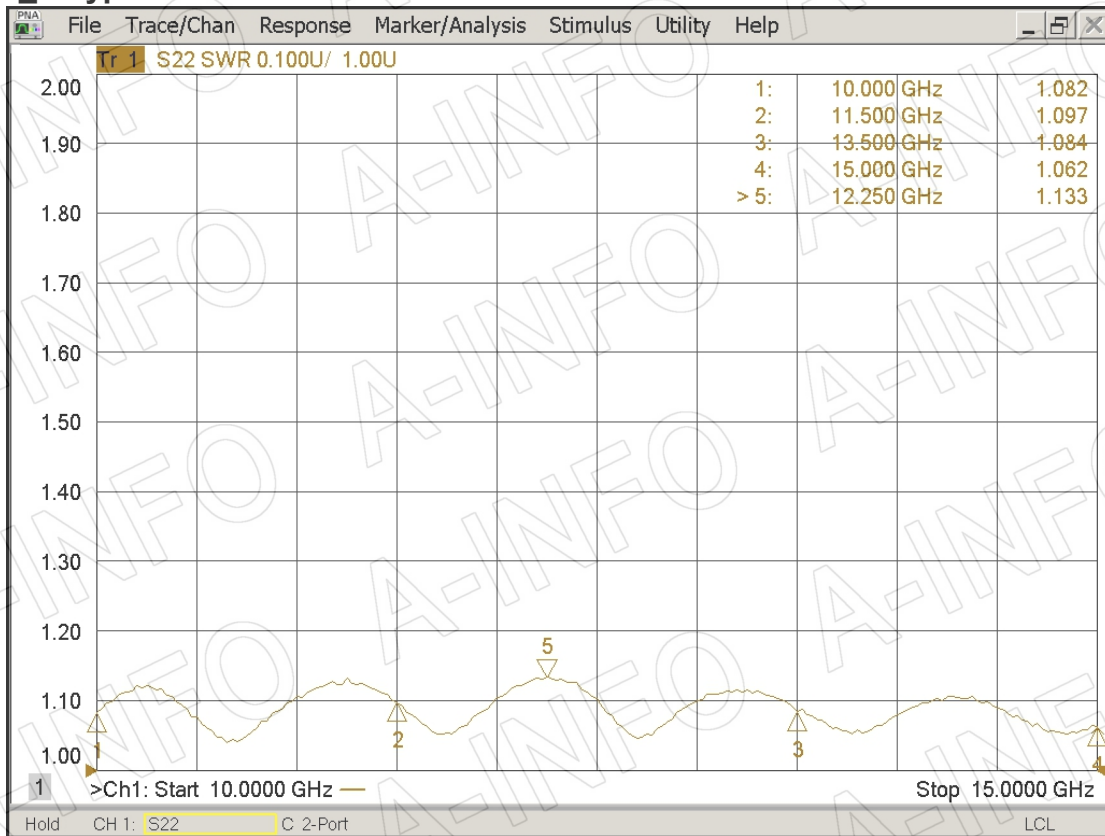
AINFO Inc.

China(Beijing): Tel: (+86) 10-6266-7326,
China(Chengdu): Tel: (+86) 28-8519-2786,
USA : Tel: (+1) 949-639-9688,

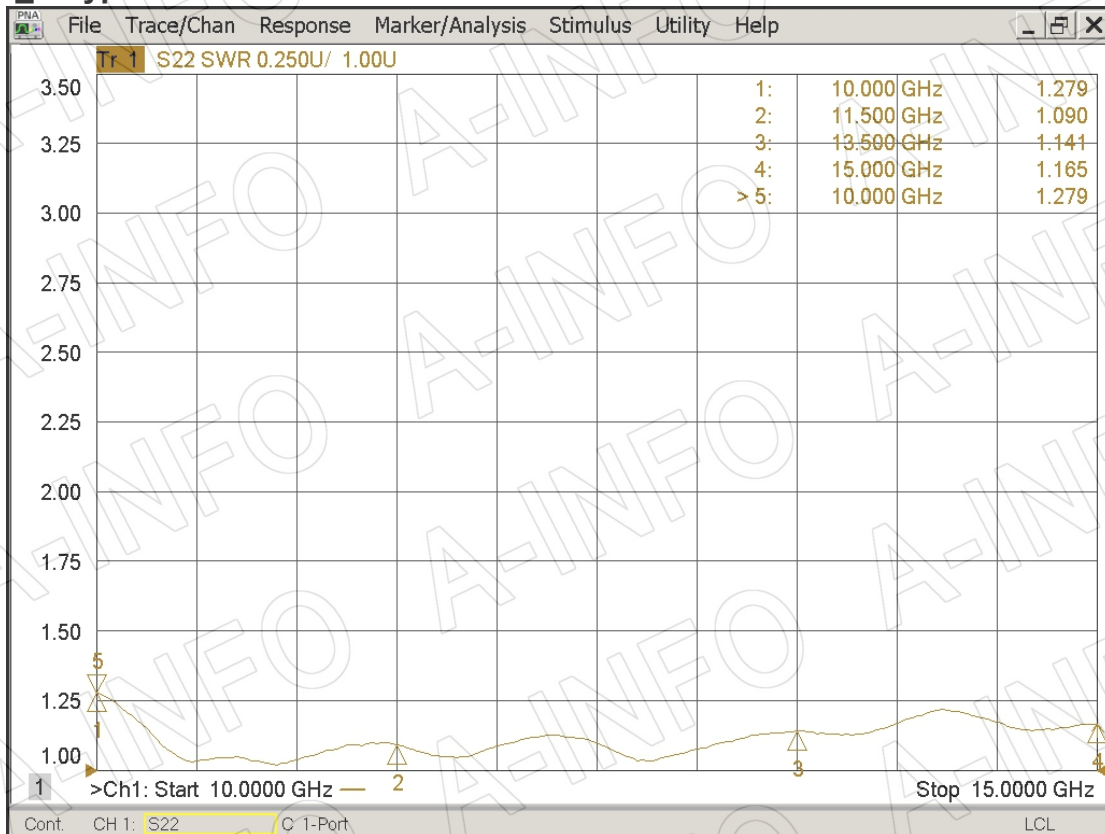
(+86) 10-6266-7327 Fax: (+86) 10-6266-7379
(+86) 28-8519-3044 Fax: (+86) 28-8519-3068
(+1) 949-639-9608 Fax: (+1) 949-639-9670

Website: www.ainfoinc.com
Email: sales@ainfoinc.com

3. VSWR_A Type



VSWR_C Type



4. Pattern

